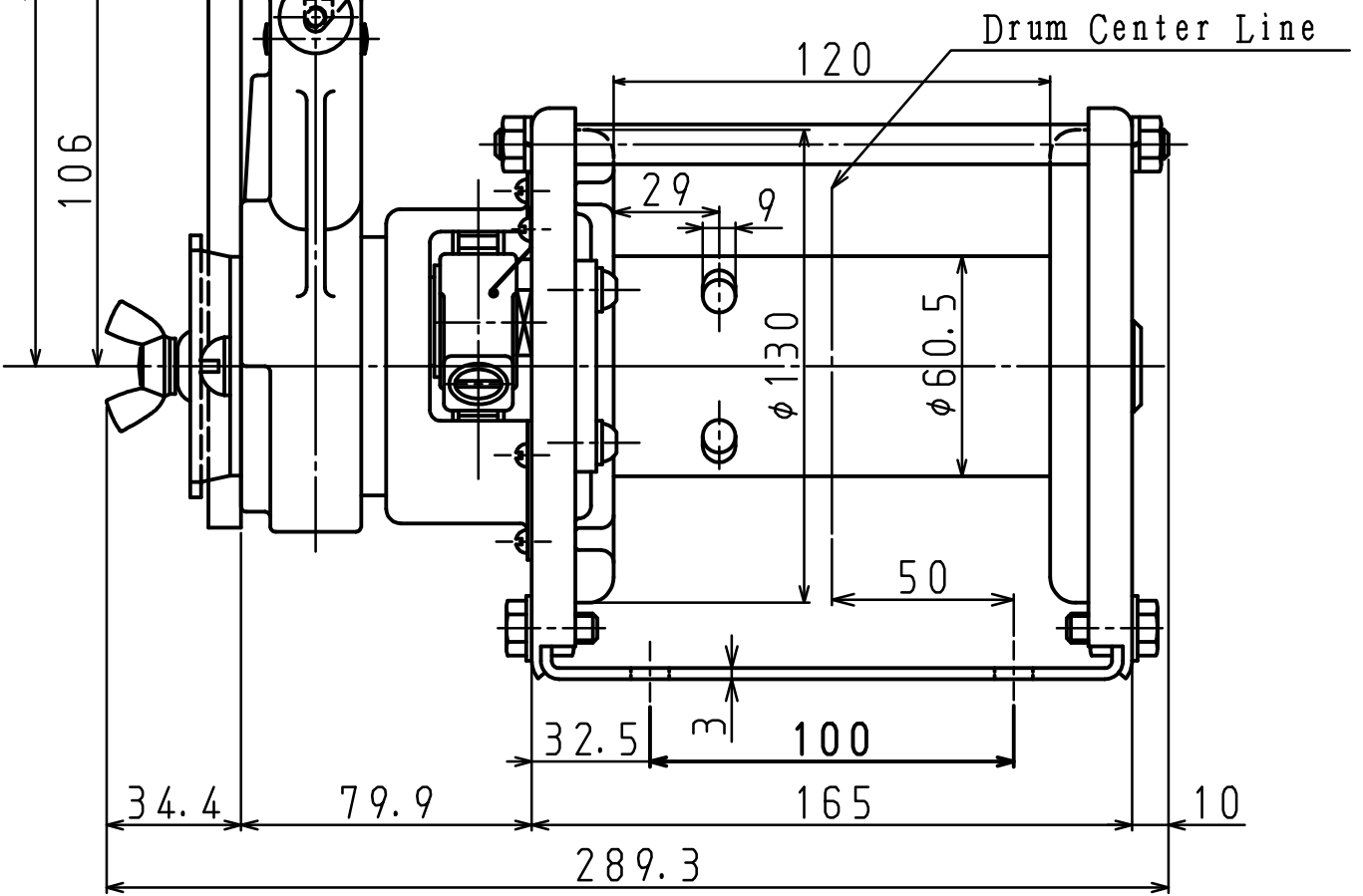


REVISION	..				
△x	..		△x	..	
△x	..		△x	..	

[Materials of the main parts]

Side frame A, Side frame B, Drum, Bed plate, Clutch cover, Handle arm	SUS304
Drum shaft	SUS304
Bolts/Nuts, Retaining rings, Springs, etc.	SUS304
Ball bearings	SUS440C
Clutch, Ratchet handle	CAC403
The mechanical brake parts except Clutch and Ratchet handle	SUS303 SUS304 SUS420J2

It is necessary the fleet angle is 2 degrees or less to prevent the wire rope being unevenly wound to wind the wire rope uniformly. Please install the pulley 1800mm or more away from the drum on the drum center line.



Specifications		(The wire rope composition is a manufacturer recommendation.)	
Model	RSB-1	Handle Operation Power	Handle Length 250mm Wire Rope Tension 980N
Load Rating Wire Rope Tension	980N (=100kgf) (4th Layer or Less)		1st Layer 143N (=14.6kgf) 3rd Layer 187N (=19.0kgf) 4th Layer 208N (=21.2kgf)
Wire Rope Length	φ5mm (6×19)×35m (6th Layer)	Weight (Winch+Handle)	9.0 kg
Gear Ratio	1/1	Standard Accessories	One Handle
Handle Length	250mm (Effective Max.)		One Hex Wrench for Wire Lock

MARK	PARTICULARS	MATERIAL	TEST PIECE	WORKING NO. REQUIRED	SPARE (PR)	TOTAL	PER ONE TOTAL	REMARKS
MANAGER							WORK NO.	QUANTITY
DEPUTY MANAGER								
CHIEF	I. Takahashi	MAXPULL STAINLESS WINCH (BUFF GRINDING)					CLASSIFICATION	SCALE
ENGR IN CHARGE		RATCHET TYPE					DRAWING NO.	/
CHECKED BY	T. Yonezawa	MODEL RSB-1					RSB1-101201-01E	
DRAWN BY								
DATE DRAWN	2010/12/01							

