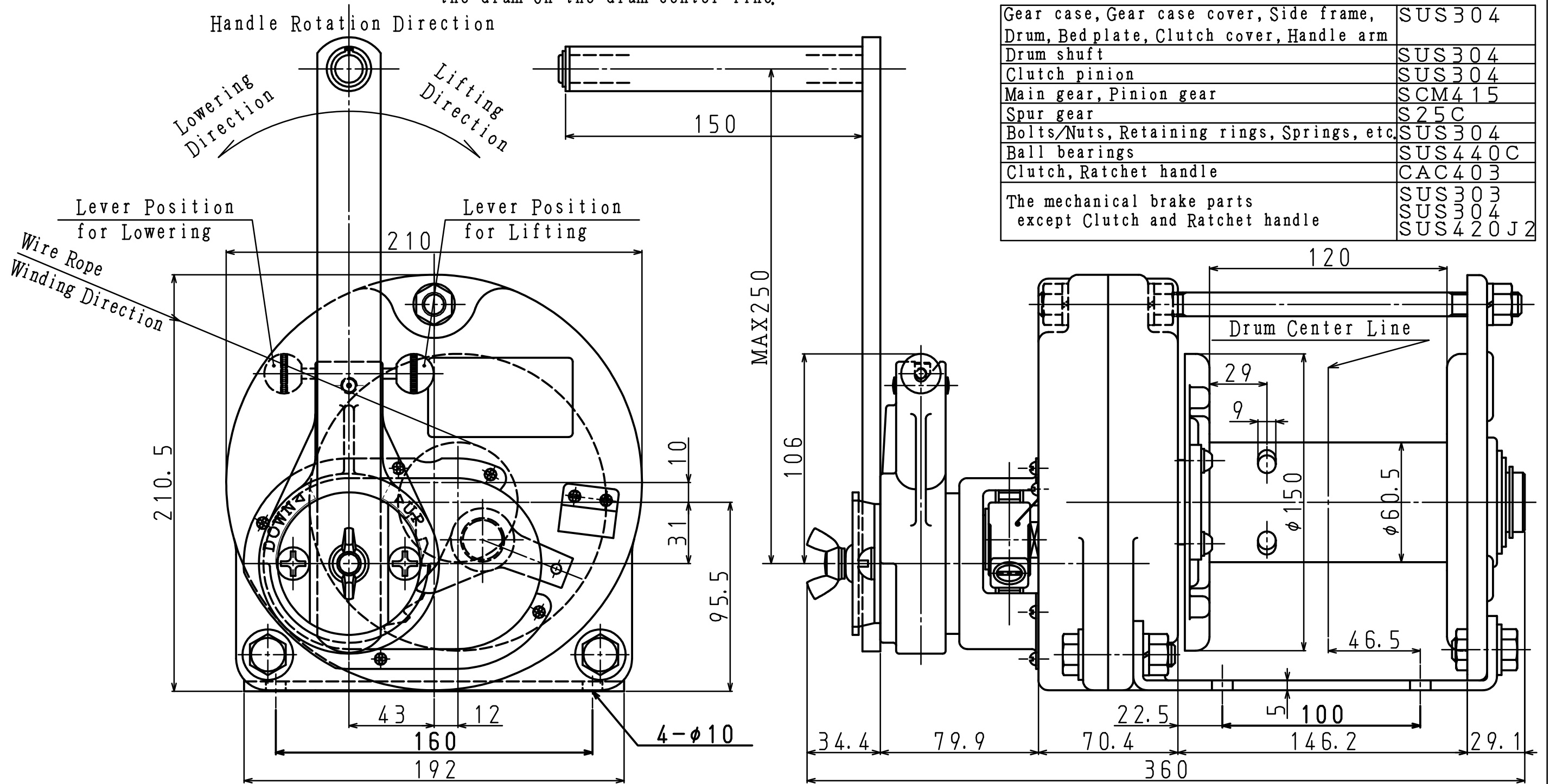


It is necessary the fleet angle is 2 degrees or less to prevent the wire rope being unevenly wound to wind the wire rope uniformly.  
Please install the pulley 1800mm or more away from the drum on the drum center line.

REVISION	..				
△x	..		△x	..	
△x	..		△x	..	

[Materials of the main parts]

Gear case, Gear case cover, Side frame, Drum, Bedplate, Clutch cover, Handle arm	SUS304
Drum shaft	SUS304
Clutch pinion	SUS304
Main gear, Pinion gear	SCM415
Spur gear	S25C
Bolts/Nuts, Retaining rings, Springs, etc.	SUS304
Ball bearings	SUS440C
Clutch, Ratchet handle	CAC403
The mechanical brake parts except Clutch and Ratchet handle	SUS303 SUS304 SUS420J2



Specifications

(The wire rope composition is a manufacturer recommendation.)

Model	RSB-3	Handle Operation Power	Handle Length 250mm Wire Rope Tension 2,940N	1st Layer 76N (= 7.7kgf) 3rd Layer 103N (=10.5kgf) 5th Layer 131N (=13.3kgf)
Load Rating Wire Rope Tension	2,940N (=300kgf) (5th Layer or Less)	Weight (Winch+Handle)	15.9kg	
Wire Rope Length	φ6mm(6×37)×32m (6th Layer)	Standard Accessories	One Handle One Hex Wrench for Wire Lock	
Gear Ratio	1/6.25			
Handle Length	250mm (Effective Max)			

MARK	PARTICULARS	MATERIAL	TEST PIECE	WORKING NO. REQUIRED	SPARE (PRR)	TOTAL	PER ONE TOTAL	REMARKS
MANAGER							WORK NO.	QUANTITY
DEPUTY MANAGER								
CHIEF	I. Takahashi	MAXPULL STAINLESS WINCH (BUFF GRINDING)					CLASSIFICATION	SCALE
ENGR IN CHARGE								/
CHECKED BY							DRAWING NO.	
DRAWN BY	T. Yonezawa	RATCHET TYPE MODEL RSB-3					RSB3-101201-01E	
DATE DRAWN	2010/12/01							

MAXPULL MACHINERY & ENGINEERING CO., LTD.