

# MAXPULL WINCH®

◀ Hand Winch ▶



Capacities from  
100kg(220lbs) to 3,000kg(6,600lbs)

**GM Series**

◀ Stainless Steel Hand Winch ▶



Capacities from  
100kg(220lbs) to 1,000kg(2,200lbs)

**ESB Series**

◀ Hot-Dip Galvanized Hand Winch ▶



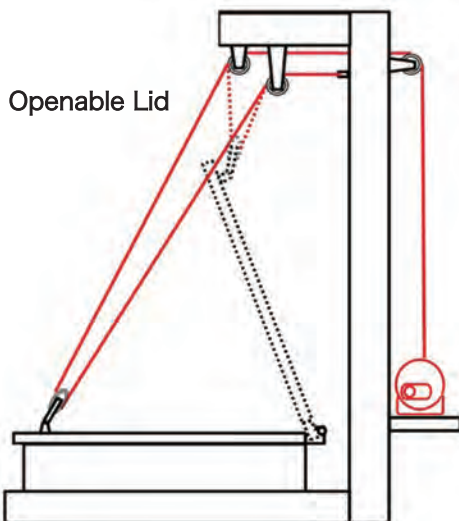
Capacities from  
100kg(220lbs) to 3,000kg(6,600lbs)

**GM-GS Series**

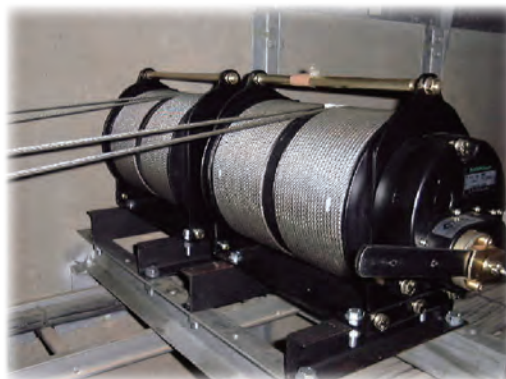


## Example

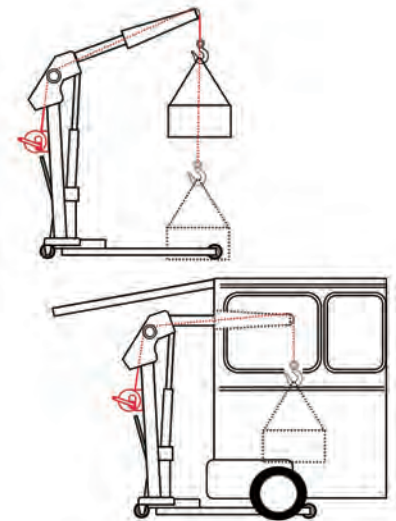
Quality Certificate **CE**



Openable Lid



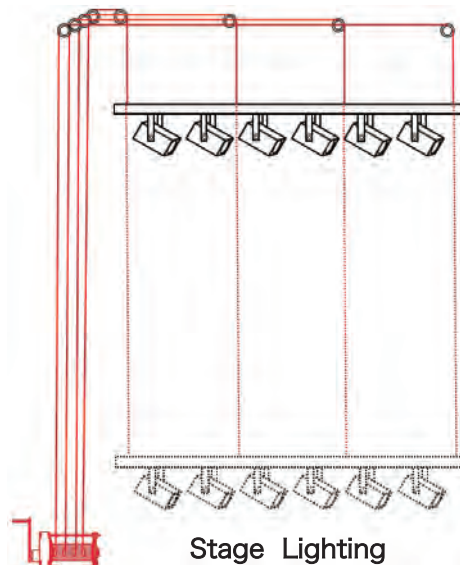
One drum hand winch with four wire ropes



Engine Crane



Floating Pier



Stage Lighting



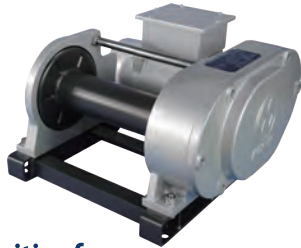
Cleanroom Jib Crane

**MAXPULL winches are not for lift or move people. Also do not lift loads over people.**

Web Site: [www.maxpull.co.jp](http://www.maxpull.co.jp)

# MAXPULL WINCH®

## ◀ Electric Winch ▶



Capacities from  
90kg(190lbs) to 1,300kg(2,800lbs)

**BMW Series**

## ◀ Dual-Direction Pulling Electric Endless Winch ▶



Load Rating up to 150kg(330lbs)

**EMX Series**

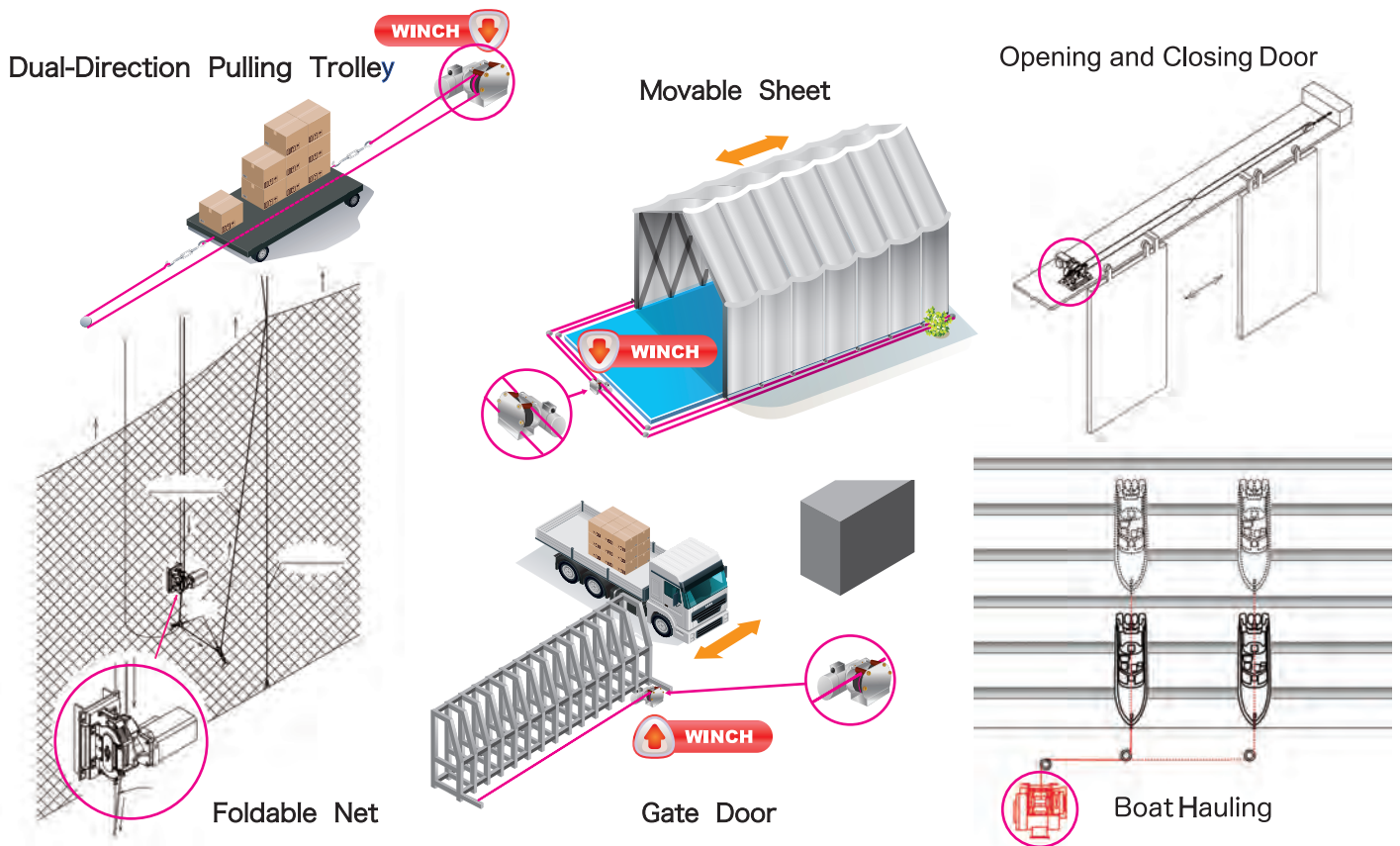


Capacities from  
300kg(660lbs) to 1,300kg(2,800lbs)

**EME Series**



## Example



**MAXPULL winches are not for lift or move people. Also do not lift loads over people.**

Manufacturer

Quality Certificate 



MAXPULL MACHINERY & ENGINEERING CO. LTD.

**マックスプル工業株式会社**

1296 - 22, Nakaya, Nishifukai, Nagareyama-shi, Chiba  
270 - 0107, JAPAN  
TEL: +81-4-7186-6797 FAX: +81-4-7186-6798  
E-mail: info@maxpull.co.jp  
<http://www.maxpull.co.jp>



MAXPULL URL

**MAXPULL USA CORPORATION**

788 110th Ave NE Suite N1404 Bellevue,  
WA 98004  
TEL: +1-425-443-2111  
E-mail: maxpull.usa@gmail.com  
<http://www.maxpullusa.com>



MAXPULL USA URL

**Web Site: [www.maxpull.co.jp](http://www.maxpull.co.jp)**